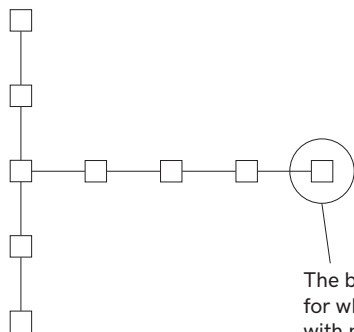
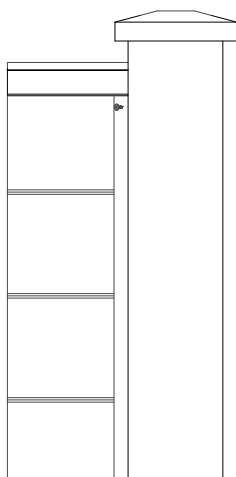


End post construction.

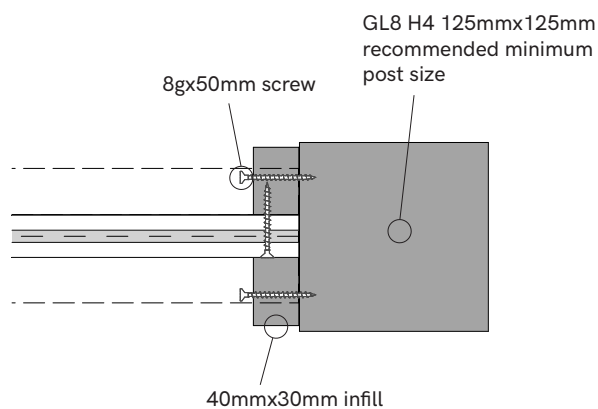


The below options are applicable for where the fencing starts/stops with no connecting fencing.

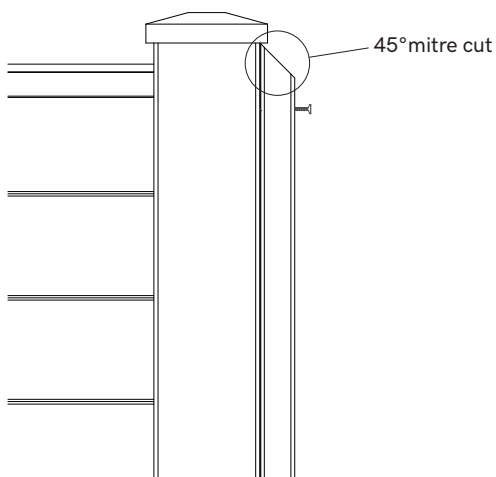
Option 1:



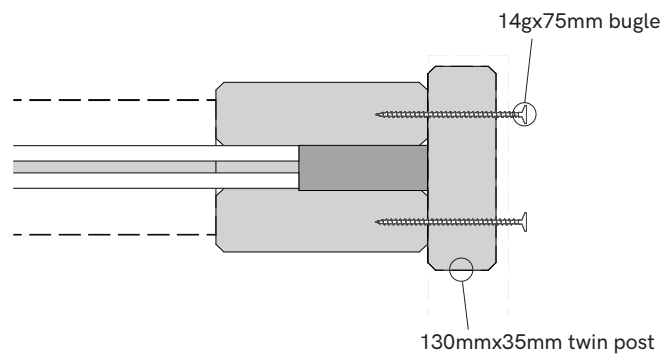
Glulam post:



Option 2:



Triple post system:



Notes:

Triple post: an additional Laminata post secured at 90° to the existing twin posts and concreted in the ground.

Glulam post: a conventional laminated square post in conjunction with Laminata infills to secure the MiniCLT planks.